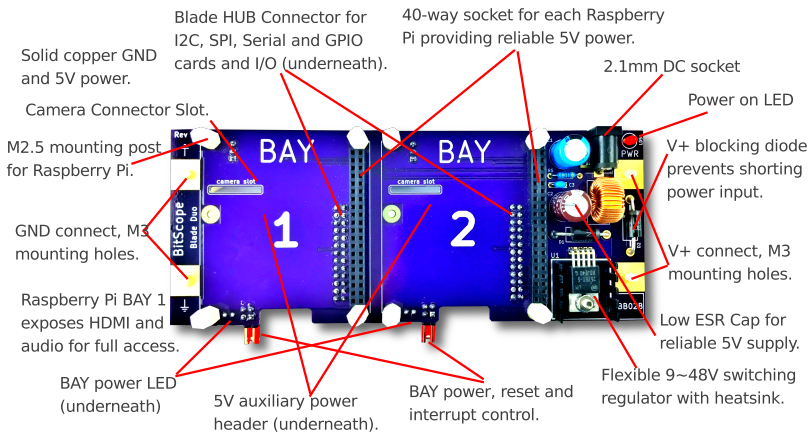


BitScope Quick Start Guide

BB02B | BitScope Blade Duo



HUB Connector

Plug in one or two Raspberry Pi and Connect 9V to 48V power to the 2.1mm socket or power tabs.

Optional: connect HDMI to Raspberry Pi BAY 1. Power devices from 3-pin auxiliary.

Optional: connect HUB cards or I2C, SPI, serial or GPIO devices via the HUB connector underneath each BAY. Control BAY power with the red shunt. Signal via GP21.

3.3V	● ●	5V
(SDA1, I2C) GP02	● ●	5V
(SCL1, I2C) GP03	● ●	GND
(GPCLK0) GP04	● ●	GP14 (TXD0)
GND	● ●	GP15 (RXD0)
GP17	● ●	GP18 (PCM_CLK)
GP27	● ●	GP26
GP22	● ●	GP23
3.3V	● ●	GP24
(SPI0_MOSI) GP10	● ●	GND
(SPI0_MISO) GP09	● ●	GP25
(SPI0_SCLK) GP11	● ●	GP08 (SPI0_CE0_N)
GND	● ●	GP07 (SPI0_CE1_N)

