



SUNPOWER TECHNOLOGY CORP.  
 16F-1, No.150, Jian 1st Rd., Zhonghe Dist., New Taipei City 235, Taiwan (R.O.C.).  
 TEL: 886-2-8226-3100 FAX: 886-2-8226-3111  
 http://www.sunpower.com.tw  
 E-mail: sunpower@sunpower.com.tw

# SPS-075-xx Series

75 W, Single Output



159 x 95 x 38 mm  
 6.26 x 3.74 x 1.50 inch



## Features:

- \* Green mode design, no load < 0.75W
- \* Power ON with LED indicator
- \* Built-in EMI filter, low ripple noise
- \* Over voltage protection
- \* Over load & short circuit protection
- \* Output voltage  $\pm 10\%$  adjustment
- \* 100% full load burn-in test
- \* -20°C to 70°C operating temperature
- \* Meet UL, cUL, TUV, CB, CE standard
- \* 1 year warranty

## Specification:

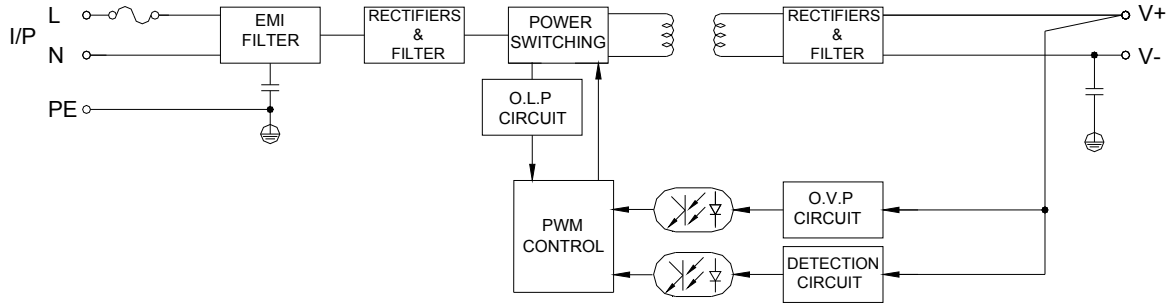
INPUT	Voltage	85V ~ 264VAC universal full range or 120V ~ 375VDC.							
	Frequency	47 ---- 63 Hz							
	Current	<2.0A @100V AC input, full load condition							
	Inrush Current	<30A@115V , <50A@230V AC input. Cold start at 25°C ambient							
	Leakage Current	<1.0mA@264V AC input							
OUTPUT	MODEL No.	SPS-075-3.3	SPS-075-05	SPS-075-7.5	SPS-075-12	SPS-075-15	SPS-075-24	SPS-075-30	SPS-075-48
	Voltage	3.3V	5V	7.5V	12V	15V	24V	30V	48V
	Min Load	0A	0A	0A	0A	0A	0A	0A	0A
	Max Load	15A	12A	10A	6.3A	5A	3.2A	2.5A	1.6A
	Output Tolerance ②	$\pm 3\%$	$\pm 2\%$	$\pm 1\%$	$\pm 1\%$	$\pm 1\%$	$\pm 1\%$	$\pm 1\%$	$\pm 1\%$
	Ripple Noise MAX. ③	70mV	70mV	80mV	120mV	150mV	200mV	200mV	250mV
	Efficiency (TYP.)	71%	76%	78%	82%	82%	85%	85%	86%
Output MAX.	50W	60W	75W	75.6W	75W	76.8W	75W	76.8W	
PROTECTION	Over Voltage	3.8V~4.6V	5.8V~7.0V	8.6V~10.5V	13.8V~16.8V	17.3V~21.0V	27.6V~33.6V	34.5V~42.0V	55.2V~67.2V
	Over Load & Short Circuit	Shutdown and latch off, recover after re-start up. When power supply over 105%~ 150% max load or short circuit acted, power supply will go into hiccup mode and recover automatically after the fault is removed.							
ELEC. CHAR.	Rise time	<50mS							
	Hold up time	>20mS@230V							
	Setup time	<1.5 S@115V , <1.0 S@230V							
	Green mode function	Power consumption at no load < 0.75W							
ENVIRONMENT	Temperature ④	Operating: -20 ~ 70°C ; De-rating: 45 ~ 70°C : 2.5%/°C ; Storage: -40 ~ +85°C							
	Humidity	Operating: 20% ~ 90% RH(non condensing); Storage: 10% ~ 95% RH (non condensing)							
SAFETY	Withstand voltage	I/P-O/P:3KVAC, I/P-PE:1.5KVAC, O/P-PE:0.5KVDC, 1minute							
	Isolation resistance	I/P-O/P, I/P-PE, O/P-PE > 100MΩ/500VDC at 25°C/ 70% RH							
	Safety standard	UL 60950-1 1 <sup>st</sup> , CSA C22.2 No. 60950-1- 03 1 <sup>st</sup> , TUV EN 60950-1:2001+A11, IEC 60950-1, standard Compliance to EN61000-3-2 CLASS A, EN61000-3-3							
EMC	EMI	Reference EN 55022 CLASS B, FCC CFR 47 PART 15 CLASS B, CNS 13438 CALSS B.							
	EMS	EN 55024 : EN 61000-4-2,3,4,5,6,8,11							
OTHERS	Cooling	Natural cooling.							
	M.T.B.F.	326 K hours at 25°C							
	Terminal pitch	7P / 9.5mm with plastic cover, 90 deg terminal optional (with MOQ)							
	Packing	N.W.: 0.57KG/1PC ; 30PCS / 1.20 CUFT / 1 CTN.							
NOTE	①	All measurements which not mentioned are based on 230VAC input, output Max at ambient 25°C / 70%RH							
	②	Output tolerance included set up voltage, line regulation and load regulation.							
	③	Ripple & noise are measured at 100~254VAC input with 10~50°C condition and 20MHz of bandwidth by using a 10" ~ 15" twisted pair-wire terminated with a 0.1uF & a 47uF parallel capacitor.							
	④	The operating temperature shall follow the de-rating curve in spec The output load may be requested for decreasing as de-rating curve in spec when low input voltage is under 100VAC							
	⑤	The power supply is considered a component of end-equipment. The end-equipment must be re-confirmed whether comply with EMC directives.							



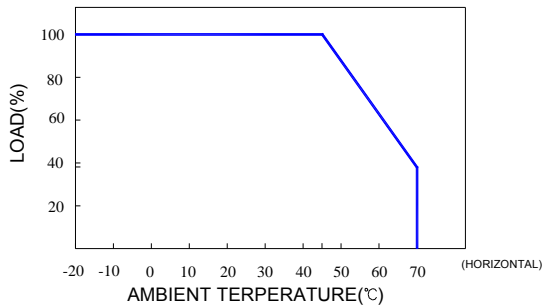
**SUNPOWER TECHNOLOGY CORP.**  
 16F-1, No.150, Jian 1st Rd., Zhonghe Dist., New Taipei City 235, Taiwan (R.O.C.)  
 TEL: 886-2-8226-3100 FAX: 886-2-8226-3111  
 http://www.sunpower.com.tw  
 E-mail: sunpower@sunpower.com.tw

# SPS-075-xx Series

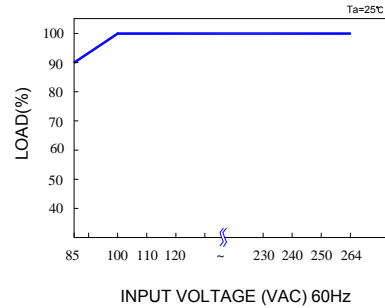
## Block Diagram : US2



## De-rating Curve :

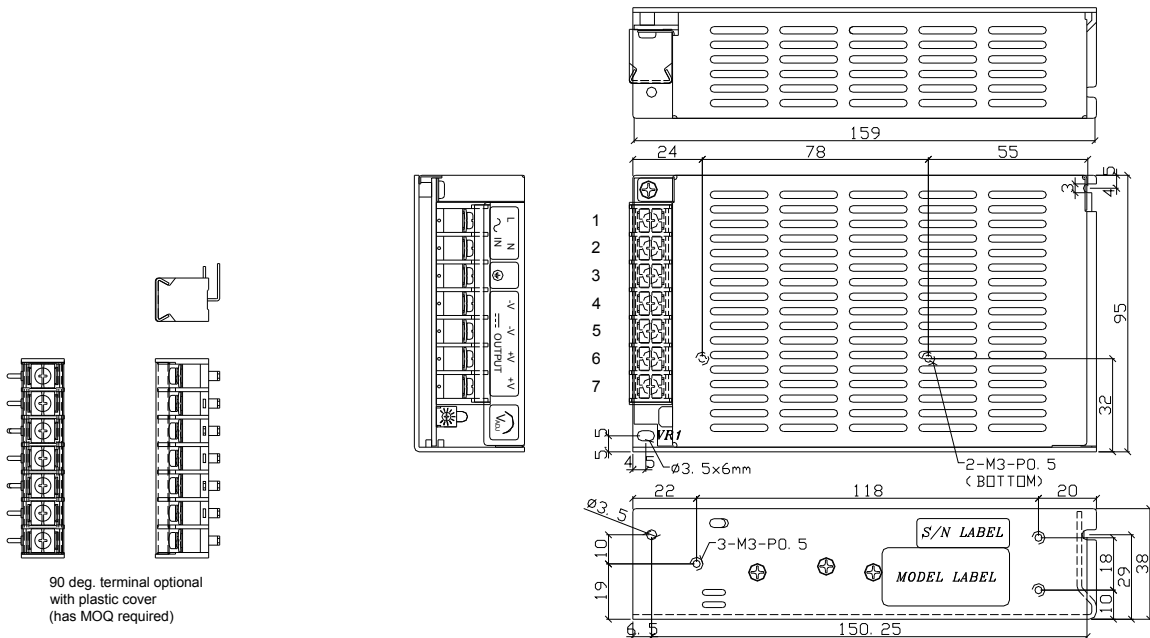


## Output De-rating Vs Input Voltage :



## Dimension:

(Unit: mm)



90 deg. terminal optional with plastic cover (has MOQ required)

## NOTES:

TERMINAL BLOCK: 7P, PITCH 9.5mm WITH PC COVER.

MODEL No.	1	2	3	4	5	6	7
SPS-075-xx	L	N	PE	-V	-V	+V	+V