



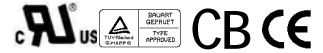
SUNPOWER TECHNOLOGY CORP.
 16F-1, No.150, Jian 1st Rd., Zhonghe Dist., New Taipei City 235, Taiwan (R.O.C.).
 TEL: 886-2-8226-3100 FAX: 886-2-8226-3111
 http://www.sunpower.com.tw
 E-mail: sunpower@sunpower.com.tw

SPS-G150-IDx Series

Dual Output



198 x 95 x 38 mm
 7.80 x 3.74 x 1.50 inch



Features:

- * V1 & V2 output are isolated
- * AC input range selected by 115/230 SW.
- * Built in EMI filter, low ripple noise
- * Over voltage protection : Shutdown and latch off
- * Over load & short circuit protection : Hiccup mode
- * V1 output voltage $\pm 10\%$ adjustment for ID5、ID6
- * 100% full load burn-in test
- * $-20^{\circ}\text{C} \sim 70^{\circ}\text{C}$ Operating temperature
- * UL, cUL, TUV, CB, CE approved
- * 3 years warranty

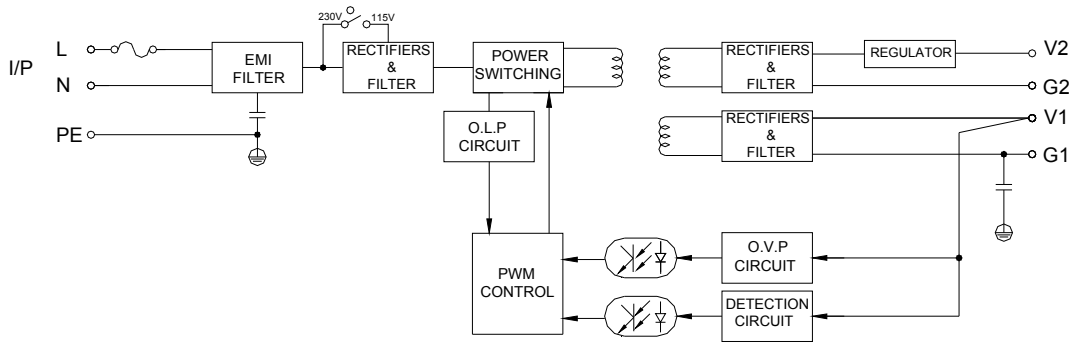
Specification:

INPUT	Voltage ②	AC 88V ~ 132V or 176V ~ 264V selected by switch · DC 250V ~ 375V.											
	Frequency	47 ---- 63 Hz											
	Current	<3.2A@115V , <2A@230VAC input, full load condition											
	Inrush Current	<35A@115V , <70A@230V AC input, Cold start at 25°C ambient											
	Leakage Current	<1.0mA@264V AC input											
OUTPUT	MODEL No.	SPS-G150-ID1		SPS-G150-ID2		SPS-G150-ID3		SPS-G150-ID4		SPS-G150-ID5		SPS-G150-ID6	
	Output	V1	V2	V1	V2	V1	V2	V1	V2	V1	V2	V1	V2
	Voltage	5V	12V	5V	24V	12V	24V	12V	48V	12V	5V	24V	5V
	Min Load	0.5A	0A	0.5A	0A	0.3A	0A	0.3A	0A	0.3A	0A	0.2A	0A
	Max Load	12A	10A	12A	5A	8A	5A	8A	2.5A	10A	4A	5A	4A
	Output Tolerance ③	$\pm 3\%$	$\pm 3\%$	$\pm 3\%$	$\pm 3\%$	$\pm 1\%$	$\pm 3\%$	$\pm 1\%$	$\pm 3\%$	$\pm 1\%$	$\pm 3\%$	$\pm 1\%$	$\pm 3\%$
	Ripple Noise MAX. ④	70mV	120mV	70mV	150mV	120mV	200mV	120mV	200mV	120mV	70mV	200mV	70mV
	Efficiency (TYP.)	82%		84%		85%		85%		82%		84%	
Output MAX.	133W		135W		138W		138W		125W		130W		
PROTECTION	Over Voltage	5.8-7.0V	----	5.8-7.0V	----	13.8-16.8V	----	13.8-16.8V	----	13.8-16.8V	----	27.6-33.6V	----
	Over Load & Short Circuit	Shutdown and latch off, recover after re-start up. When power supply over 105%~ 150% max load or short circuit acted, power supply will go into hiccup mode and recover automatically after the fault is removed.											
ELEC. CHAR.	Rise time	<30mS											
	Hold up time	>20mS@230V, full load condition											
	Setup time	<1.5 S@115V , <1 S@230V											
ENVIRONMENT	Temperature ⑤	Operating: $-20 \sim +70^{\circ}\text{C}$; De-rating: $45 \sim 70^{\circ}\text{C}$: 2.5%/°C ; Storage: $-40 \sim +85^{\circ}\text{C}$											
	Humidity	Operating: 20% ~ 90% RH (non condensing) ; Storage: 10% ~ 95% RH (non condensing)											
SAFETY	Withstand voltage	I/P-O/P:3KVAC, I/P-PE:1.5KVAC, O/P-PE:0.5KVAC, 1minute											
	Isolation resistance	I/P-O/P, I/P-PE, O/P-PE >100MΩ/500VDC at 25°C/ 70% RH											
	Safety standard	UL 60950-1 2 nd , CSA C22.2 No. 60950-1-07 2 nd TUV EN 60950-1:2006+A11, IEC 60950-1:2005, approved.											
EMC	EMI	EN 55022 CLASS B, FCC CFR 47 PART 15 CLASS B, CNS 13438 CLASS B. Compliance to EN61000-3-2 CLASS A, EN61000-3-3											
	EMS	EN 55024 : EN 61000-4-2,3,4,5,6,8,11											
OTHERS	Cooling	Natural cooling.											
	M.T.B.F.	240K hours											
	Terminal pitch	7P / 9.5mm with plastic cover, 90 deg terminal optional (with MOQ)											
	Packing	N.W.:0.68Kg / 1pc; 24 pcs / 1.22 CUFT / 1 CTN											

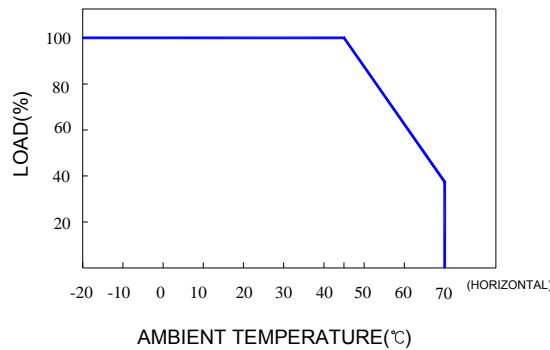
NOTE	① All measurements which not mentioned are based on 230VAC input, output Max at ambient 25°C / 70%RH
	② If the input voltage is DC 250 ~ 375V, the AC slide switch must stay at 230V range.
	③ Output tolerance included set up voltage, line regulation and load regulation. The regulation is measured between 20%-100% max load of each output, Total output t must under output Max .
	④ Ripple & noise are measured at 115/230VAC input with 10~50°C condition and 20MHz of bandwidth by using a 10" ~ 15" twisted pair-wire terminated with a 0.1uF & a 47uF parallel capacitor.
	⑤ The operating temperature shall follow the de-rating curve in spec ⑥ The power supply is considered a component of end-equipment. The end-equipment must be re-confirmed whether comply with EMC directives.

SPS-G150-IDx Series

Block Diagram : SD3

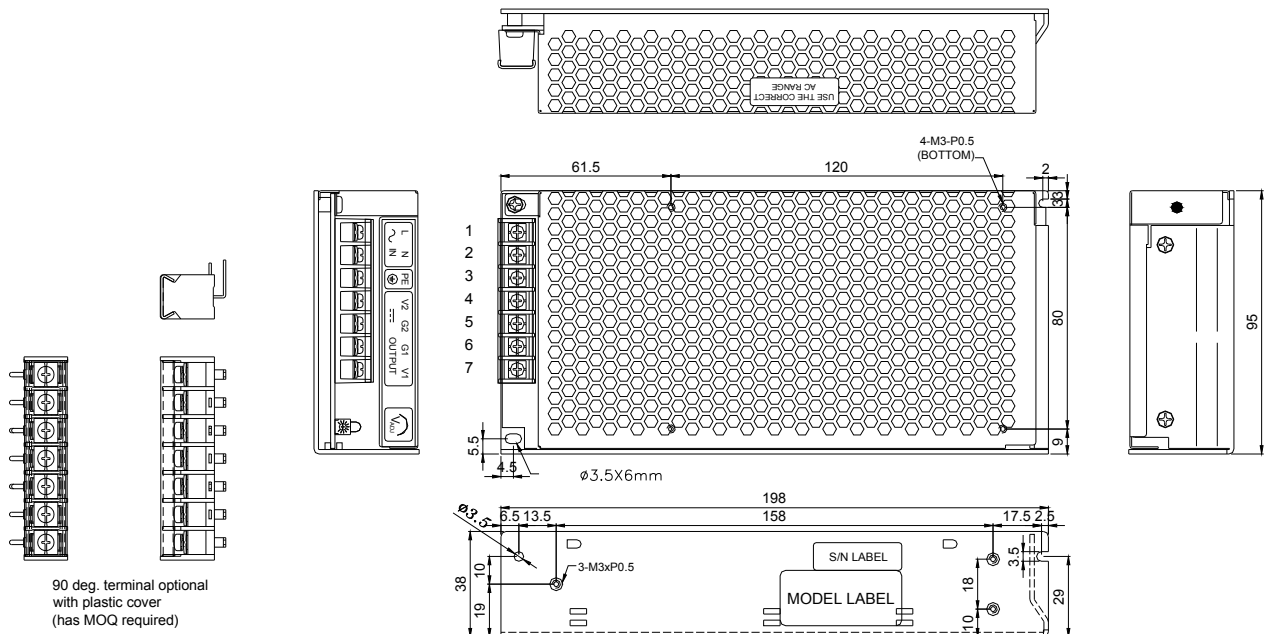


De-rating Curve :



Dimension:

(Unit: mm)



90 deg. terminal optional with plastic cover (has MOQ required)

Terminal Pin. No Assignment :

7P, PITCH 9.5mm WITH PC COVER							
MODEL No.	1	2	3	4	5	6	7
SPS-G150-IDx	L	N	PE	V2	G2	G1	V1